

# User Manual

DP Video  
DP351X



Designed in the USA

In-Dash Mobile Video System

MADE IN CHINA

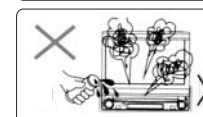
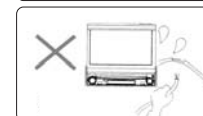
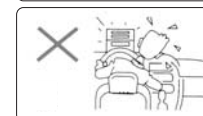
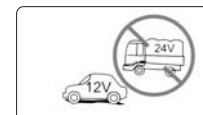
## Contents

<b>Warnings and Precautions</b> .....	<b>2</b>	<b>Radio Operation</b> .....	<b>16</b>
<b>Electric Connection</b> .....	<b>4</b>	Band	
Reception collection		Band tuner	
Speaker collection		APS/ST	
<b>Installation</b> .....	<b>5</b>	<b>Accessories</b> .....	<b>17</b>
Install the unit		<b>Troubleshooting</b> .....	<b>18</b>
Remove the unit		Familiar characters and their meanings	
<b>General Features</b> .....	<b>6</b>	General problems	
<b>Remote Control</b> .....	<b>7</b>	TFT Monitor	
Loading and Replacing the battery		Radio Tuner	
Basic operation		Mp3 playback	
<b>Play Operation</b> .....	<b>10</b>	DVD player	
<b>USB/SD operation</b> .....	<b>13</b>	<b>Specifications</b> .....	<b>23</b>
USB/SD PLAYER			
<b>System setting</b> .....	<b>14</b>		
Video			
Audio			
System			
<b>TV tuner</b> .....	<b>15</b>		

## Warnings and Precautions

### Warnings

- 1、 Only connect the unit to a 12V power supply with negative grounding.
- 2、 Never install the unit where the operation for safety driving is restrained.
- 3、 Never use the video display function in the front when driving to prevent the violation of laws regulations and also to reduce the risk of traffic accident except using for rear view video camera.
- 4、 Never expose the unit, amplifier, speakers to moisture or water to prevent electronic sparks or fires.
- 5、 Please don't change the fuse in the power cord without professional guidance, improper fuse may cause damage to this using unit or even cause fire.
- 6、 Please power off the unit at once and send it back to the after-sales service center or the dealer/distributor yo purchased from if one of the following symptoms is found:  
(a)NO audio output; (b)NO image output;(c)Water or other obstacle enters the unit; (d)Smoking;  
(e)Peculiar smell.
- 7、 To ensure safe driving, please adjust the volume to a safe and comfort level in case of emergency situations.



## Warnings and Precautions

---

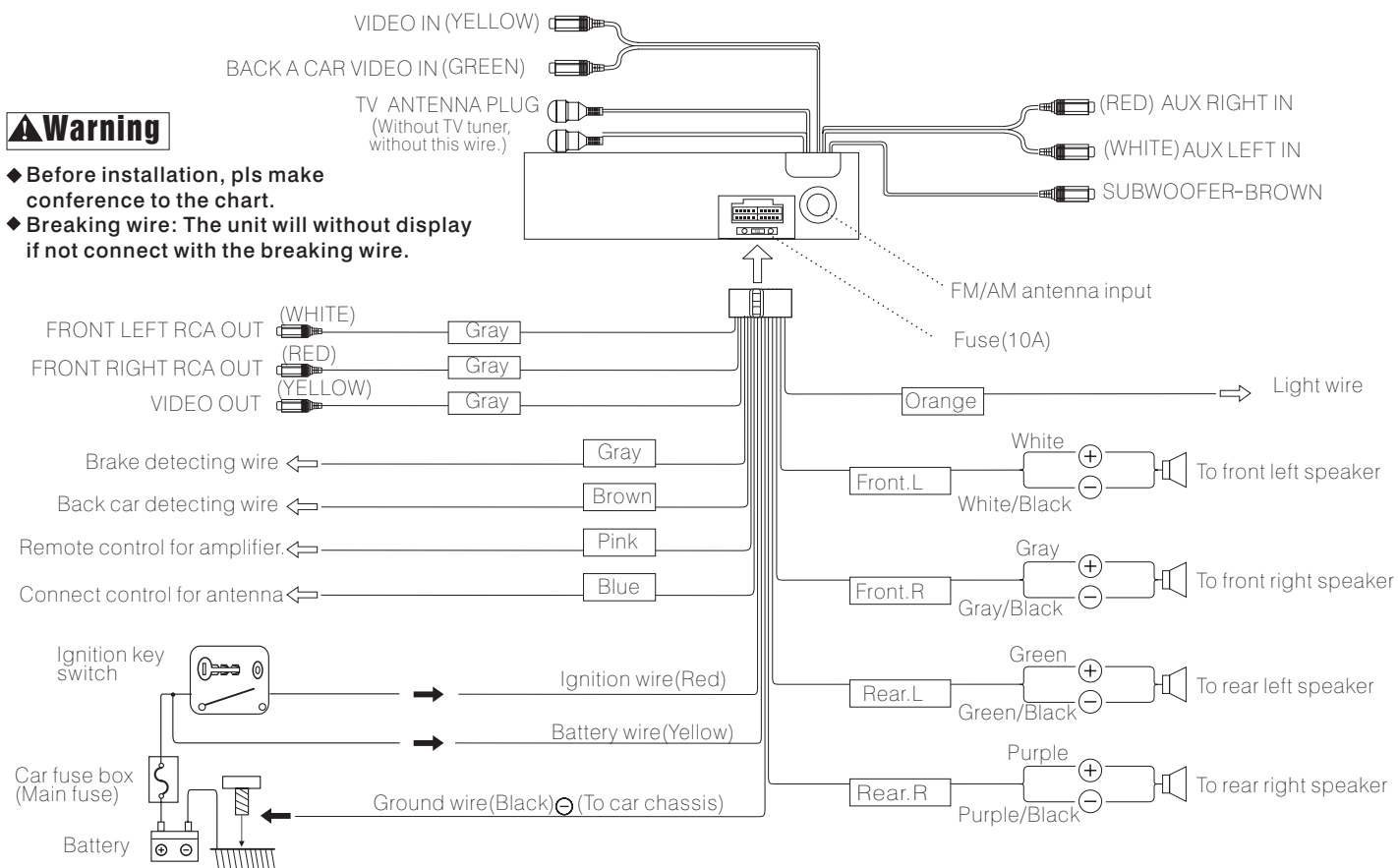
### Precautions

- 1、 Never disassemble or adjust the unit without any professional guide. For details, please consult any professional car shop/ dealer for inquiry.
- 2、 If the front panel or the TFT monitor is squalid, please use a clean silicone cloth and neutral detergent to wipe off the spot. Using a rough cloth and non-neutral detergent such as alcohol for cleaning may result in scratching or decoloration to the applicant.
- 3、 If any abnormal behavior of the unit is found, please refer to trouble shooting guide of this manual. If no relevant information is found , please press the [RESET] key on the front panel to resume factory default.
- 4、 If you have parked the car in hot or cold weather for a long time, please wait until the temperature in the car becomes normal before operating the unit.
- 5、 Using in-car heater in low temperature environment may result in beads coagulate inside the unit. DO NOT use the unit in this situation, eject the disc and wipe off the bead on the disc. If the unit still doesn't work after a few hours, please contact with after-sales service center.
- 6、 No fierce impact to the LCD monitor when it is in open position for preventing the damage to any mechanisms inside.
- 7、 To prevent the damage to the screen, avoid touching it with sharp objects.
- 8、 The monitor employs auto motorizing mechanism, please don't push, pull, or swivel the monitor manually to prevent damage to any mechanisms inside.
- 9、 To provide a clear demonstration and an alternative for easy understanding to the operation of this unit, graphic illustrations are used. However, these illustrations are some different from the actual images displayed in the unit.
- 10、 During operation the unit, "🚫" is displayed if the particular operation is not available or illegal.
- 11、 Operate the unit correctly according to this manual to prevent. Unnecessary problem. The guarantee won't be valid if the problem is caused by inappropriate operation.

## Electric Connection

### **Warning**

- ◆ Before installation, pls make conference to the chart.
- ◆ Breaking wire: The unit will without display if not connect with the breaking wire.



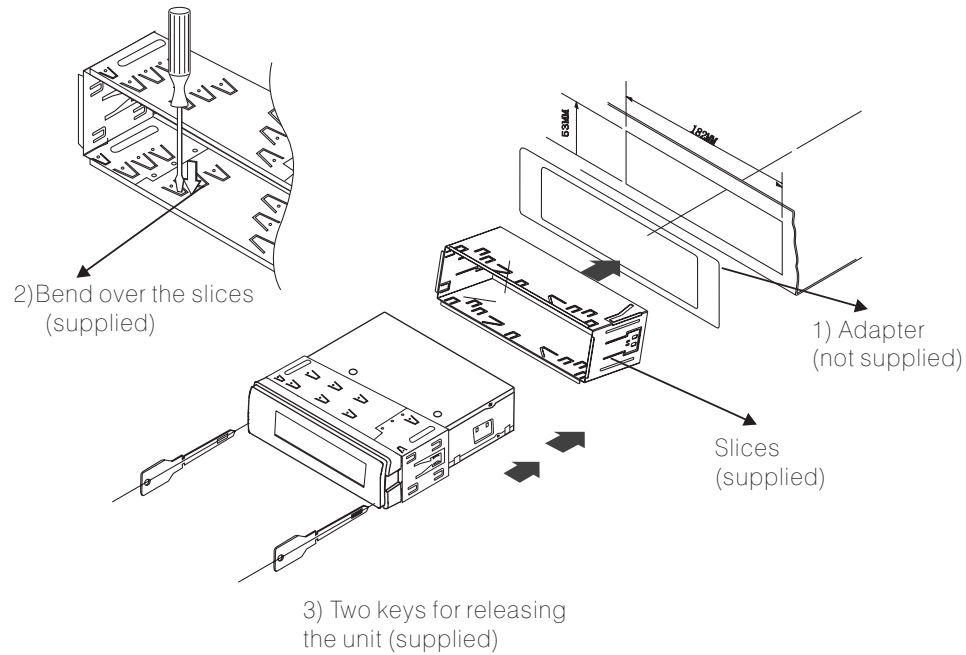
## Installation

---

- Before installing the receiver, fit it in the suitable place of your car. Then connect the corresponding speakers and electrical connections. When your system is operated properly, follow the instructions installation

### INSTALL THE UNIT

- 1) Install the bracket
- 2) Bend over some slices to secure the installation of bracket inside of dash.
- 3) To avoid shake of the receiver, make sure to install the fixation strap behind the receiver.

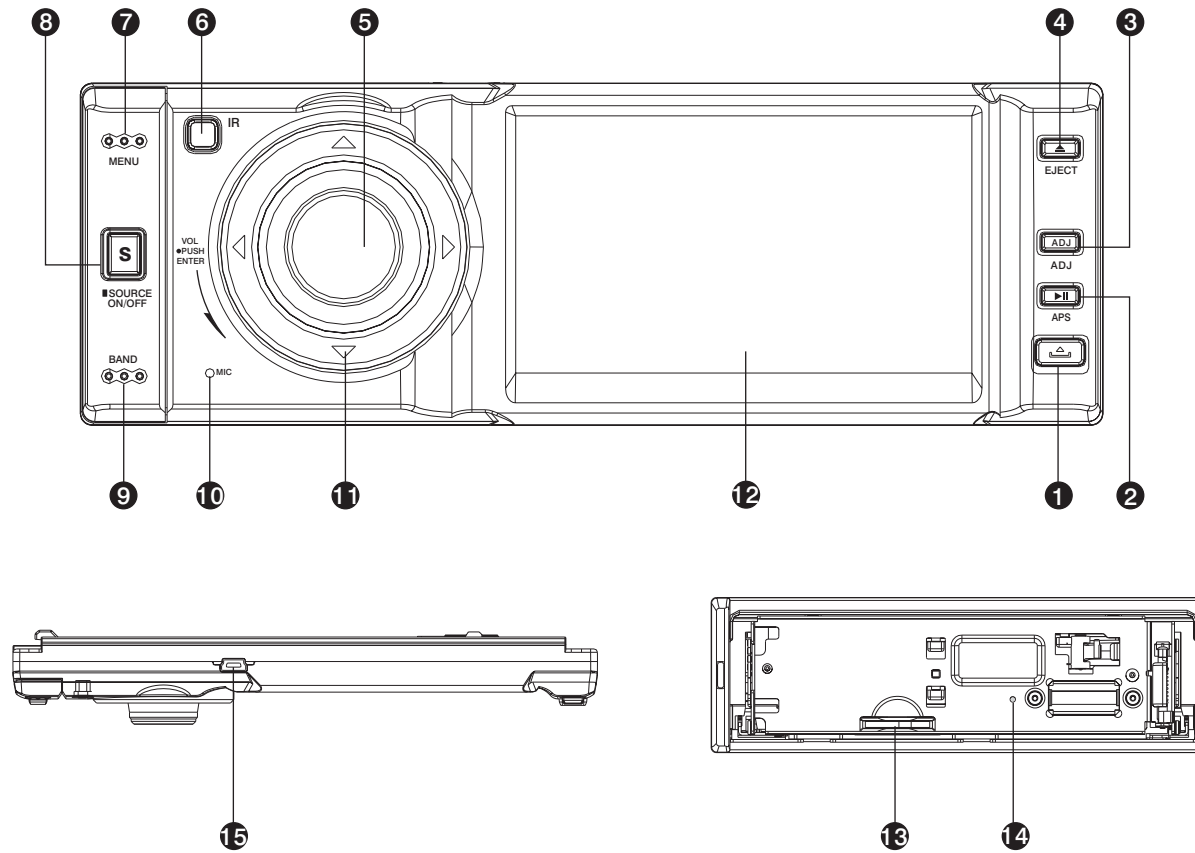


### REMOVE THE UNIT

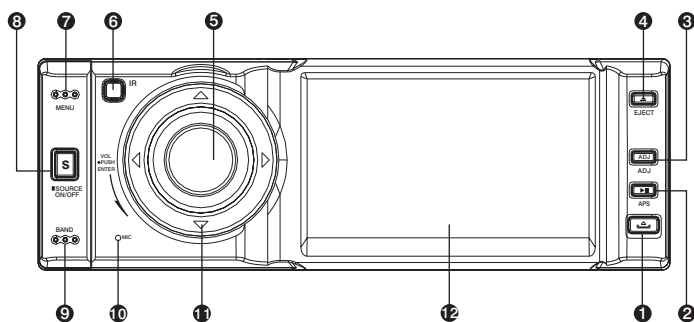
- Insert the keys into the small gaps in the right and left sides of the unit at the same time. Link the keys to the slices and then pull out the unit lightly to remove it from your car, and then pull out the connection plugs.

## General Features

---



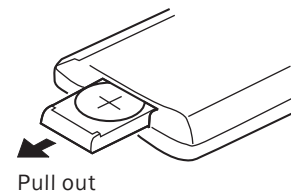
## General Features



- 1 Remove Panel: Press [▲] to remove the panel.
- 2 APS/▶|| Button: Play/Pause/Reception Scan.
- 3 ADJ Button: Display position adjustment.
- 4 [▲] Button: To eject the DISC.
- 5 VOL Button: Rotate the VOL button to adjust the volume; press it to make confirmation.
- 6 Signal received window.
- 7 MENU Button: System setting.
- 8 SOURCE Button: Play source switch/ON/OFF.
- 9 BAND Button: Band switch.
- 10 MIC.
- 11 Four Directions Button: Select the menu through up/down/left/right direction.
- 12 TFT-LCD screen.
- 13 SD Slot.
- 14 Reset Button.
- 15 USB Port.

## Remote Control

### Loading and replacing the battery

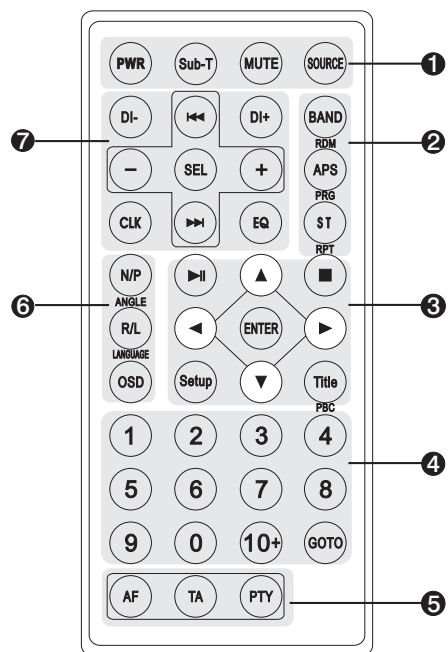


Notes of remote control using:

- 1) Aim the remote controller at the remote sensor on the unit.
- 2) Remove the battery from the remote control or insert a battery insulator if the battery has not been used for a month or longer.
- 3) DO NOT store the remote control under direct sunlight or in high temperature environment, or it may not function properly.
- 4) The battery can work for 6 months under normal condition. If the remote control can't work, please change the battery.
- 5) Use (button shaped) lithium battery (CR-2025) only.
- 6) DO NOT recharge, disassemble, heat or expose the battery in fire.
- 7) Insert the battery in proper direction according to the (+) and (-) poles.
- 8) Store the battery in a place where children cannot reach to avoid risk of accident.

## Remote Control

### ■ Button and Function



**Note:** Remote picture just for conference.

- ① [PWR] Button: Power
- [Sub-T] Button: Language switch
- [MUTE] Button: Mute
- [SOURCE] Button: Play source switch

- ② [BAND/RDM] Button: Band switch/Play randomly
- [APS/PRG] Button: Scan/Program
- [ST/RPT] Button: Stereo switch/Repeat
- ③ [▶|◀] Button: Play/Pause
- [■] Button: Stop
- [Setup] Button: Menu setting
- [Title] Button: Title Menu
- [ENTER] Button: Play/Confirm
- [▲][▼][◀][▶] Button: Up/down/left/right button
- ④ [0~9] Button: 0~9
- [GOTO] Button: GOTO search
- ⑤ [AF] Button: Search stations automatically
- [TA] Button: Traffic broadcast
- [PTY] Button: Program style
- ⑥ [N.P/ANGLE] Button: Video switch/Angel Adjustment
- [R.L/LANGUAGE] Button: Left/right sound track switch dialogue language.
- [OSD] Button: Screen Display
- ⑦ [▶▶] Button: Forward/Next chapter
- [◀◀] Button: Rewind/Last chapter
- [DI+] Button: Next disc
- [DI-] Button: Last disc
- [+/-] Button: Increase/reduce volume
- [SEL] Button: System setting
- [CLK] Button: Clock display (Time adjust, turn to P14, system setting.)
- [EQ] Button: Sound effect

**Note:** This unit doesn't have CDC function, DI-/DI+ neither.

## Remote Control

---

### AF(Alternative Frequency)

- Turn on "AF", the unit will switch to the stronger signal of the same station automatically.

### TA(Traffic announcement)

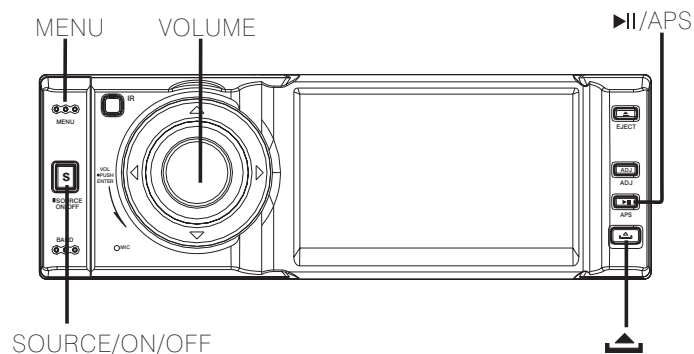
- Turn on "TA ", the unit will prior to seek the traffic information. If the machine receives the traffic information, it will choose this signal and quit other radio signal or CD program. If press TA again, other program will recover and the traffic information program will quit.

### PTY(Program type)

- Turn on "PTY ", then press "PTY"and 1-6 buttons to choose one certain program style . After this, the unit will scan the same style programs automatically. Such as select News programs. The unit will only scan News programs. Among AF, TA and PTY, TA has the absolute priority to be chosen.

**Note:** This unit doesn't have RDS function, AF/TA/PTY neither.

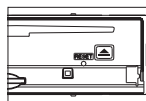
## Play operation



### Eject

**EJECT:** Press [▲] to eject the disc.

**NOTE:** About 10 seconds after the disc is ejected, if not taken out, the disc will be absorbed again.



### PLAY/PAUSE

**Play/pause:** Press [APS/▶II] button to play or pause.

**NOTE:** Press [VOLUME] button can play too.

### SRC/PWR

Press [SRC] button shortly will turn the unit on. Hold [SRC] button down will turn the unit off.

**NOTE:** When the power is on, press [SRC] button will show the following picture, touch the certain icon to select the exact function needed.



**NOTE:** Gray icon can not use.

Press [SRC] button to switch the following if the unit is without touch function.



### Volume

**Increasing Volume:**

- Rotate the VOL button in counterclockwise direction.

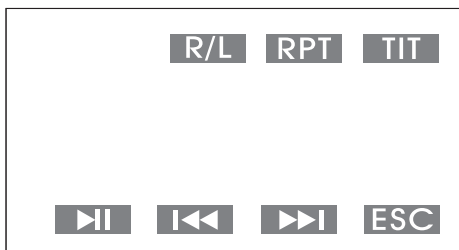
**Decreasing Volume:**

- Rotate the VOL button in anticlockwise direction.

## Play operation

Insert DVD/VCD/CD disc, touchscreen will show menu as follows:

Note: Without touch function, without this display.



**Note:** Because the different situation of Disc REC, some of the CD-R, CD-RW, DVD-R, DVD-RW, DVD+R, DVD+RW Disc may can not be readed. And the Disc without final treatment can not be readed too. Regarding the final treatment, please make conference to the guide of REC set or REC manual.



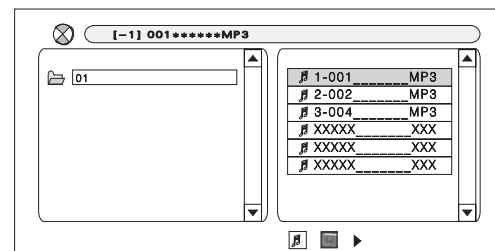
- **Select chapter or section:** In the DVD mode, press [◀/▶] to choose the last chapter; press [▶/▶] to choose the next chapter.
- **Forward:** Hold [▶/▶] button down;
- **Rewind:** Hold [◀/▶] button down.

### Repeat

**Repeat:** In the play mode, press [RPT] on the screen or on the remote control to transit among the following status.



Insert MP3 disc, and TFT will show the menu as follows:



- In this menu, the menu on the right side is the sub-menu. You can press [▲] [▼] tu button to select the file and items you like.

### R/L

**R/L:** In VCD/CD/DVD mode, press [R/L] on the screen or remote control to switch among mono L、mono R or stereo.

### TIT

**Title:** In play mode, press [TIT] on the screen or remote control to back to the title menu, and re-select the items needed.

### ESC

**Esc:** In play mode, press this button to exit the playing.

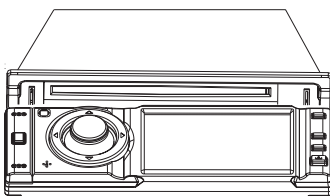
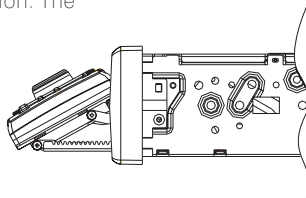
## Play operation

### Display position adjustment

- Press [ADJ] button can adjust angle of screen:

Press [ADJ] button repeatedly can adjust the screen angle gradually. The unit has 3 angles for adjustment. Each time you press the button, the screen will move from one angle to another angle on the same direction. The screen angle will move on the opposite direction if you operate it again.

- Turn on the unit again, the angle will back to original setting.

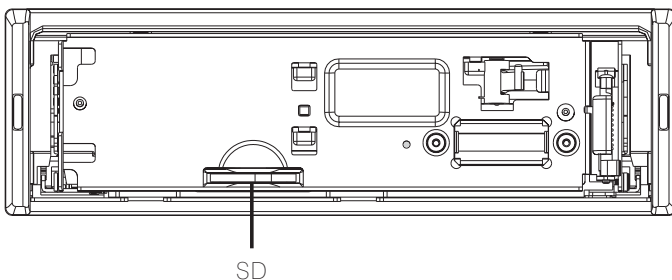
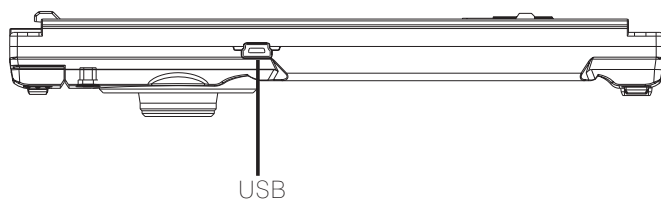


Adjust Angle

#### **CAUTION**

- Do not place any object on the screen, or push it rudely.
- Do not move the screen rudely.
- The movable range of the screen may be limited to different types of car and install positions, etc.

## USB/SD operation



### Inserting the USB device

- Insert the USB device into the USB slot on the front panel. Then the playing mode will be changed into USB mode automatically. The first USB device track playback will start.

### Inserting the SD/ MMC card

- Press the OPEN button on the panel.
- Remove the panel.
- Insert the SD/MMC card into SD/MMC compartment on the inner side. Then the playing mode will be changed into SD mode automatically. The first card track playback will start.

### Play operation

#### PLAY/PAUSE:

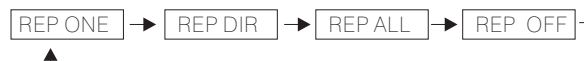
- Press [▶||] button to play or pause.

#### ▶, ◀ Select:

- Under USB or SD play mode, press [◀ ▶] button to select tracks.

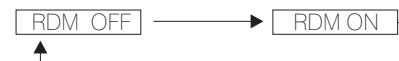
#### REPEAT:

- Press [ST/RPT] button to repeat the playing.



#### BAND:

- Press [BAND] button to play the disc randomly.



## System setting

### MENU

**ENTER MENU:** Press [ MENU ] button:

Video mode:

VIDEO	AUDIO	SYSTEM
BRIGHT		13
COL		14
CONTRAST		14
TINT		15
VMODE	STAN	

[-] [+] [ESC]

Audio mode:

Video	Audio	System
BASS		0
TREBLE		
BALANCE		0
FADER		0
EQ		NORM

[-] [+] [ESC]

System mode:

Video	Audio	System
LOUD		OFF
BEEP		ON
TOPIC		GREEN
TIME DISP		OFF
TIME ADJ		00:00

[-] [+] [ESC]

#### Menu operation

Clicks on the menu option  
Press [ + - ] to adjust.  
Press [ ESC ] to confirm and exit.

#### Menu operation

Clicks on the menu option  
Press [ + - ] to adjust.  
Press [ ESC ] to confirm and exit.

#### Menu operation

Clicks on the menu option  
Press [ + - ] to adjust.  
Press [ ESC ] to confirm and exit.

#### Video setup

- Bright, Color, Contrast, Tint

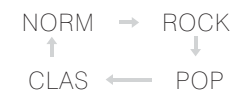
- Vmode



#### Audio setup

- Audio setup: Bass, Treble, Balance, Fader setup between 0~14.

- EQ setting:



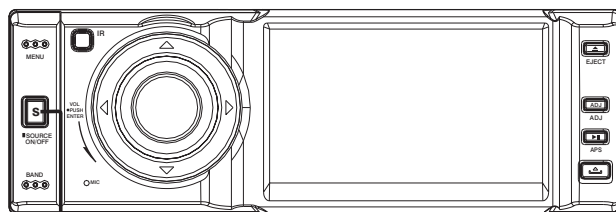
#### System setup

- Loud: ON and OFF
- Beep: ON and OFF
- TOPIC: can set the receive topic as RED /YELLOW BLUE /GREEN .

- Time Display: ON and OFF

- Time Adjust: press [ + ] or [ - ] button to select hour/minute then press [ + ] or [ - ] button to setup.

## TV tuner



SOURCE

### TV tuner

#### Preparation:

- To receive TV broadcasts, install the TV antenna.
- For receiving TV broadcasts, stop your car where there is no obstacle to broadcast reception around.

#### TV Scanning:

- Press [SRC] button or touch [AMS] can scan and store TV program automatically.

#### Channel Search

- Press the [APS] button can search and store TV station automatically.

#### Channel Selection

- [▶] (CHANNEL): up
- [◀] (CHANNEL): down

#### Direct Channel Selection (Only for remote control)

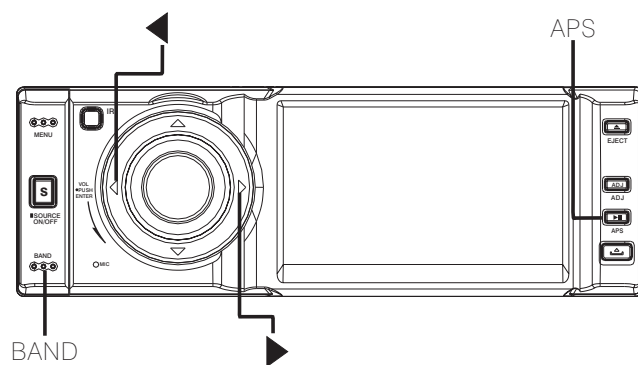
- Enter a channel number by pressing [0] to [9].

Without touch function, without these icons.



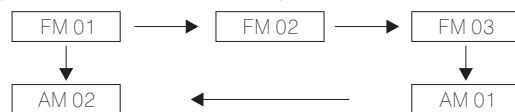
**Note:** If the unit does not have this function, pls skip this page.

## Radio Operation



### BAND

- Press BAND button to select among three FM or two AM bands. (FM1-FM2-FM3-AM1-AM2)



### ST

#### Stereo

- Press [ST] button, switch between [MO] and [ST]. While receiving the signal, [ST] back light turns blue.

#### Loc/DX

- Long press [ST], switch between LOC and DX.

### Band tuner

#### Manual tune:

- Long press [▶] button can adjust to higher frequency.
- Long press [◀] button can adjust to lower frequency.

#### Automatically tune:

- Short press [▶]/[▶] button can search higher frequency and stop when get one, long Press [▼]/[▲] button can store the station.
- Short press [◀]/[◀] button can search lower frequency and stop when get one, long Press [▼]/[▲] button can store the station.

### AS/PS

#### Search Stations

- Long press [▶II/APS] button for more than 3 seconds can search stations and store them in 1-6, FM1, FM2, FM3 and Am1, Am2 automatically.

#### Scan Stations




- Press [▶II/APS] button can scan and play every stored station for about three seconds, if you want to listen to the recently station, pls press the button to stop scanning.
- 6 stations can be stored in each FM1, FM2, FM3 and Am1, Am2 at most.


#### Select Stations

- Press [▲] or [▼] button can select 1-6 stations.

## Accessories

---

External view	..... Number of items	External view	..... Number of items
① 	.....1	③ 	.....1
② 	.....2		

 The use of any accessories except of those provided might result in damage to the unit. Make sure only to use the accessories shipped with the unit, as shown above.

## Troubleshooting

---

What appears to be trouble is not always serious. Please check the following points before calling a service center.

### Familiar characters and their meanings

Characters	Causes	Remedies
NO Disc	Disc is too dirty.	Clean the disc or change the disc.
	Disc is inserted upside down.	Insert the disc correctly.
	No disc in the unit.	Insert a disc.
Bad Disc	Disc is extreme dirty.	Clean the disc or change the disc.
	Disc is inserted upside down.	Insert the disc correctly.
Unkown Disc	The disc is not compatible with the unit.	Clean the disc.
Region Error	The disc's region code is not the same as the unit's.	Clean the disc.

## Troubleshooting

### General problems

Symptoms	Causes	Remedies
The unit cannot be powered on.	The fuse of the unit has been broken.	Install a new fuse with correct rating.
	The fuse of car battery has been broken.	Install a new fuse with correct rating.
	False operations and etc.	Reset the unit.
Remote controller does not work.	Battery has been exhausted.	Change the battery.
	Battery is not installed correctly.	Install the battery correctly.
No sound comes out or it's hard to hear.	Audio output connection is not correct.	Correct the connection according to(Electrical Connections Overall Diagram).
	The volume level is set to the minimum level.	Adjust the volume to the optimum level.
	The speakers have been damagedl.	Check the speakers.
	The audio channel outputs are not balanced.	Adjust the balance of audio channel outputs. Please refer to (Audio control).
	The speaker cord is contacted with the bodywork.	Use insulating cord for connection.
Poor sound quality or sound distortion.	Piratic disc is used.	Use original copy disc.
	The speakers power rating does not fit into the unit output power.	Change the speakers.
	The speakers are connected incorrectly.,	Correct the connection according to(Electrical Connections Overall Diagram).
	The speaker cord is contacted with the bodywork.	Use insulating cord for connection.
User preset information is lost when ACC is off.	ACC and BATT are connected incorrectly.	Correct the connection according to(Electrical Connections Overall Diagram).

## Troubleshooting

---

### TFT Monitor

Symptoms	Causes	Remedies
No image appears on the monitor and warning information is shown at all times.	Incorrect connection of Breaking wire.	Correct the connection according to (Electrical Connections Overall Diagram).
Abnormal display like as pulsatile stripes on the image and on.	The color system of DVD disc is not suited with the monitor.	Adjust the color system of the DVD disc or the monitor.
	The actual color system is not the same as the marked color system on the label for some piratic discs.	Use original copy disc.
	The video cord is broken.	Change the video cord.
	The video cord is not connected correctly.	Connect the video cord correctly.
Characters are abnormal.	False operations.	Turn off the power and then turn on the power again, or change to other playing source and then go back.

## Troubleshooting

### Radio Tuner

Symptoms	Causes	Remedies
It's hard to receive stations.	Auto antenna is not extended completely.	Correct the connection according to (Electrical Connections Overall Diagram).
	Auto antenna is not connected with the unit firmly.	Correct the connection according to (Electrical Connections Overall Diagram).
	LOCAL function is on.	Close the LOCAL function.

### Mp3 playback

Symptoms	Causes	Remedies
Disc cannot be played back.	Disc is scratched.	Change the disc.
	Disc is too dirty or wet.	Clean the disc.
	The pickup is dirty.	Clean the pickup with cleaning disc.
	Disc is inserted upside down.	Insert the disc correctly.
Interruption occurred during playback.	Disc is scratched.	Change the disc.
	Disc is too dirty or wet.	Clean the disc.
	Some contents are damaged.	Change the disc.
	Disc is not recorded correctly.	Record the disc again.
MP3's name cannot be displayed correctly.	The name of Mp3 is not regular.	Use the regular characters.

## Troubleshooting

### DVD player

Symptoms	Causes	Remedies
Disc cannot be inserted.	There is a disc in the unit already.	Eject the disc then insert another one.
Disc cannot be played back.	Disc is scratched.	Change the disc.
	Disc is too dirty or wet.	Clean the disc.
	The pickup is dirty.	Clean the pickup with cleaning disc.
	Disc is not compatible with the unit.	Change the disc.
	Parental lock class is too high.	Change the parental lock class.
	Disc is inserted up side down..	Insert the disc correctly.
	The disc 's region code is not the same as the unit 's.	Change the disc.
Subtitle cannot be shown.	There is no subtitle file in the disc.	Change another disc containing subtitle files.
Audio language/subtitle cannot be changed.	There is only one audio language/subtitle in the disc.	Change another disc containing multi-language audio or subtitle.
View angle cannot be changed.	There is just one view angle in the disc.	Change another disc containing multi-angle.
	Multi-angle view is not available for the segment playing back now.	Select another segment to play back.
Image distortion.	The disc is protected by the copyright.	The unit is compatible with copy system; hence some discs contained the information of copying prohibited cannot be played back.
PBC is invalid when playing back VCD.	The disc does not support PBC.	Change another disc with PBC function.
Repeat playback or GOTO search is invalid when playing back VCD.	PBC is on..	Close PBC function.

## Specifications

Specifications subject to change without notice.

### DISPLAY UNIT

Liquid crystal panel.....3.5 inches  
 Panel weight.....157g  
 Number of pixels.....22,4640 pixels  
 Display method.....Transparent color filter format  
 Drive method.....LTPSTFT  
 Light source.....internal light  
 (built-in small fluorescent lamp)

### GENERAL

Operating power.....12 Volts DC, negative  
 ground  
 %10THD output wiring.....Designed for using four  
 speakers only front and rear  
 channels cannot be combined  
 in use with 2speakers.  
 Load impedance.....compatible 4 to 8 ohm  
 speakers  
 Fuses.....10 amp  
 Dimensions.....187mm(L)x170mm(W)x50mm(H)  
 Weight.....1.92Kgs

### RECEIVING FREQUENCY FIGURE

AREA	BAND	FREQUENCY RANGE (HZ)	Auto Stepping (KHZ)	Tiny Stepping (KHZ)
EUROPE	FM	87.5-108.0M	100	50
	AM	522-1620K	9	9
AMERICA	FM	87.5-107.9M	200	200
	AM	530-1710K	10	10
SOUTH AMERICA	FM	87.5-108.0M	100	100
	AM	520-1620K	10	10
RUSSIA	FM1、2	87.5-108.0M	100	50
	FM3	65.0-74.0M	10	10
	AM	522-1620K	9	9

## **OWNER'S MANUAL**

---

Before installation and operating the unit please read  
this manual thoroughly and retain  
it for future reference